

## Handle Legs

Zinc Die Casting, for Tubular Handles Ø 28, Angled

### SPECIFICATION

#### Type

- Type **A**: Mounting from the back (threaded blind bore)

#### Handle leg

Zinc die casting

Powder coated

- Black, RAL 9005, textured finish **SW**
- Silver, RAL 9006, textured finish **SR**

#### Grub screw with plastic pivot

GN 913.3-M4-6-KU (see page 912)

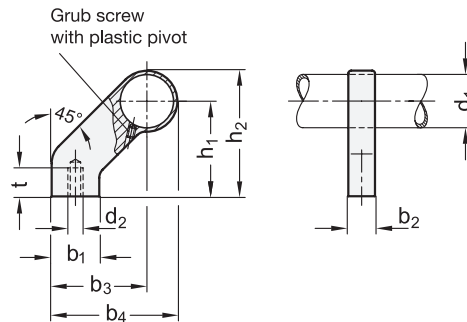
Steel, blackened



### INFORMATION

Handle legs GN 333.8 can be used for longer tubes or higher loads of tubular handles.

They can be used for tube Ø 28 of the tubular handles GN 333 (see page 498), GN 333.1 (see page 496), GN 333.2 (see page 500) and GN 333.3 (see page 489).



### GN 333.8

Description	d <sub>1</sub>	d <sub>2</sub>	b <sub>1</sub>	b <sub>2</sub>	b <sub>3</sub>	b <sub>4</sub>	h <sub>1</sub>	h <sub>2</sub>	t min.	Δ
GN 333.8-28-A-SW	28	M 8	25	14	50	66	50	66	15	120
GN 333.8-28-A-SR	28	M 8	25	14	50	66	50	66	15	120

